



SPARE PARTS EXPLODED VIEW INSTANTANEOUS GAS WATER HEATERS

Model

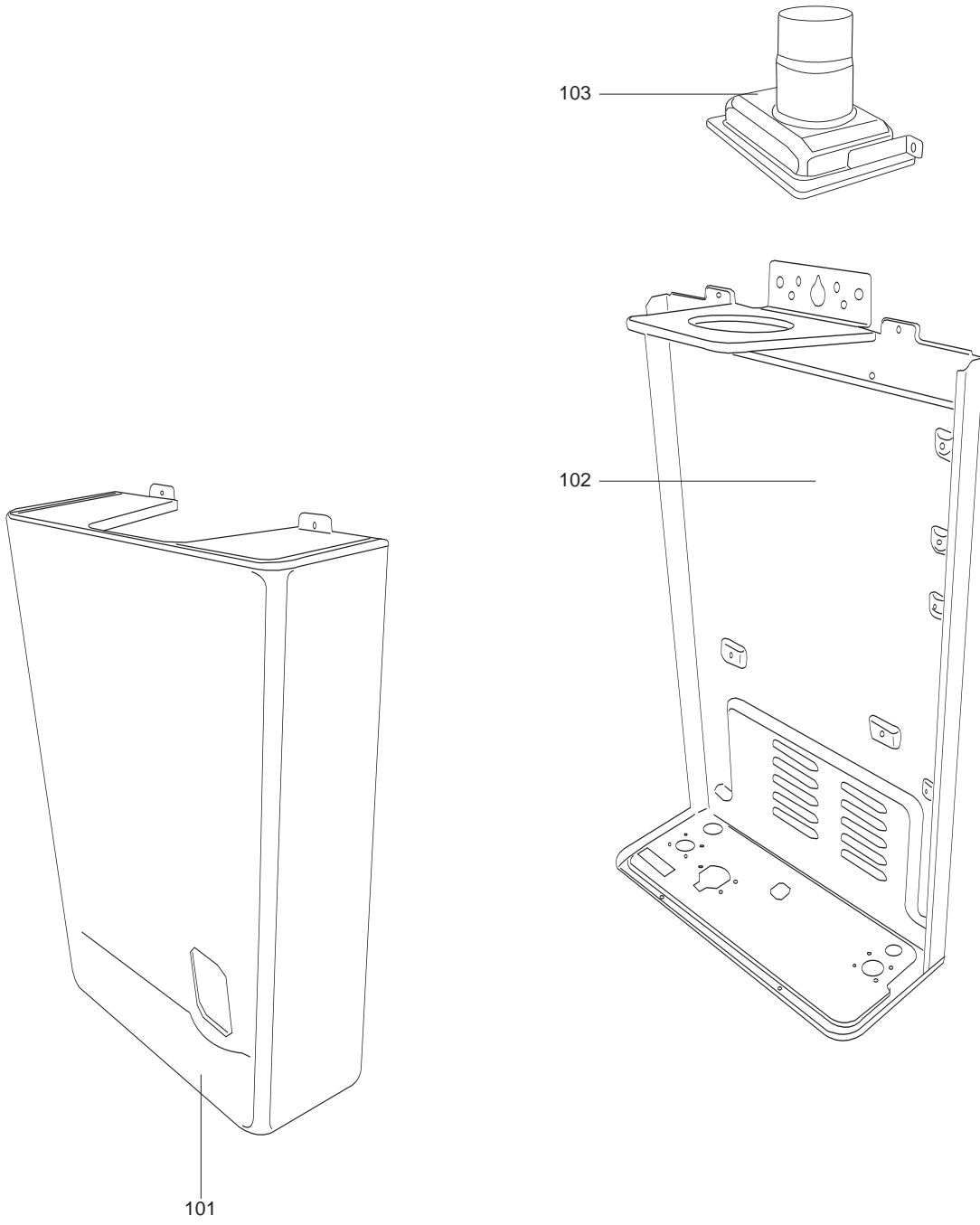
MARCO POLO M2 FF

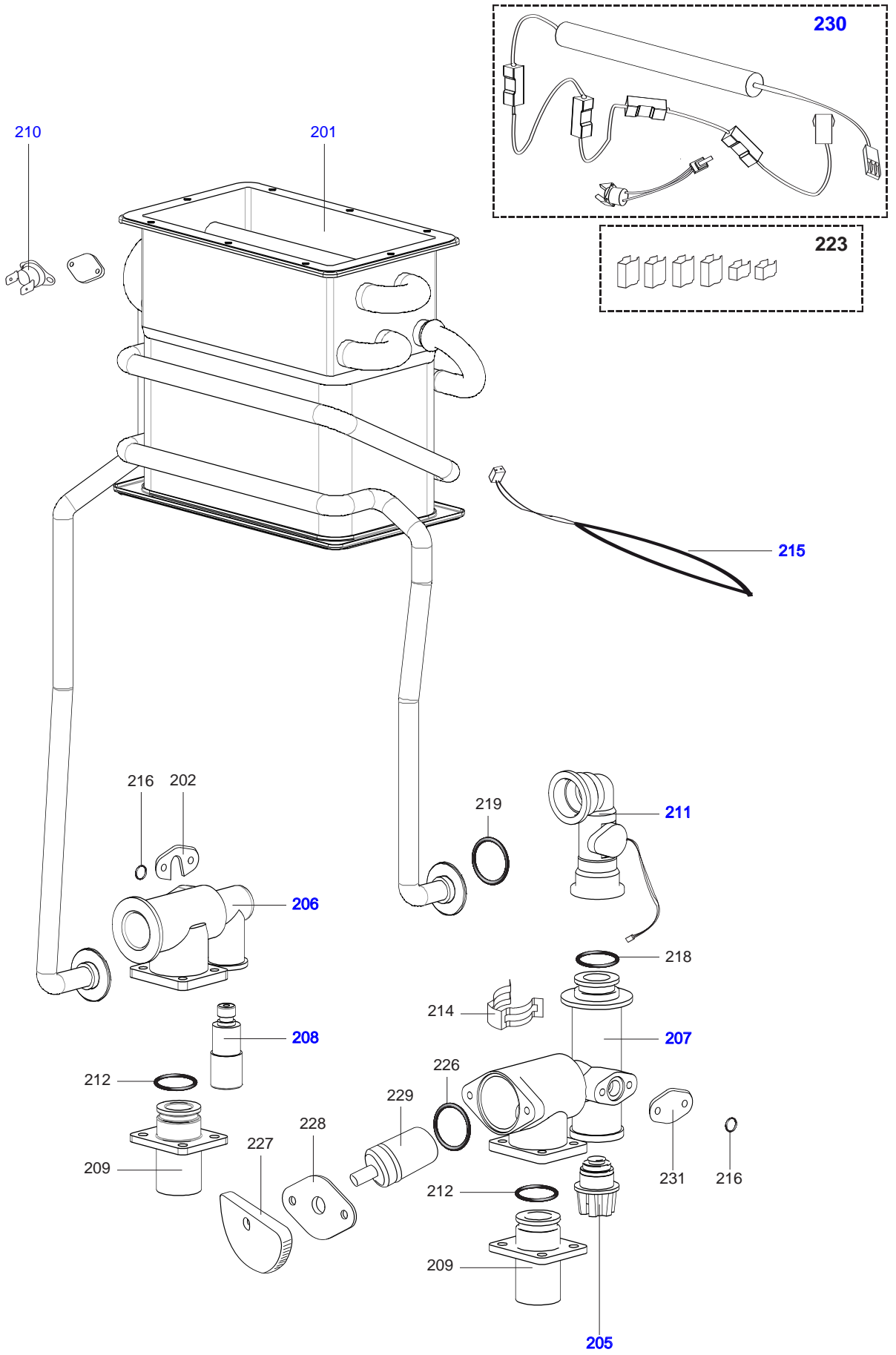
R8216791-01EN - Edition 01 - 01/01/2012

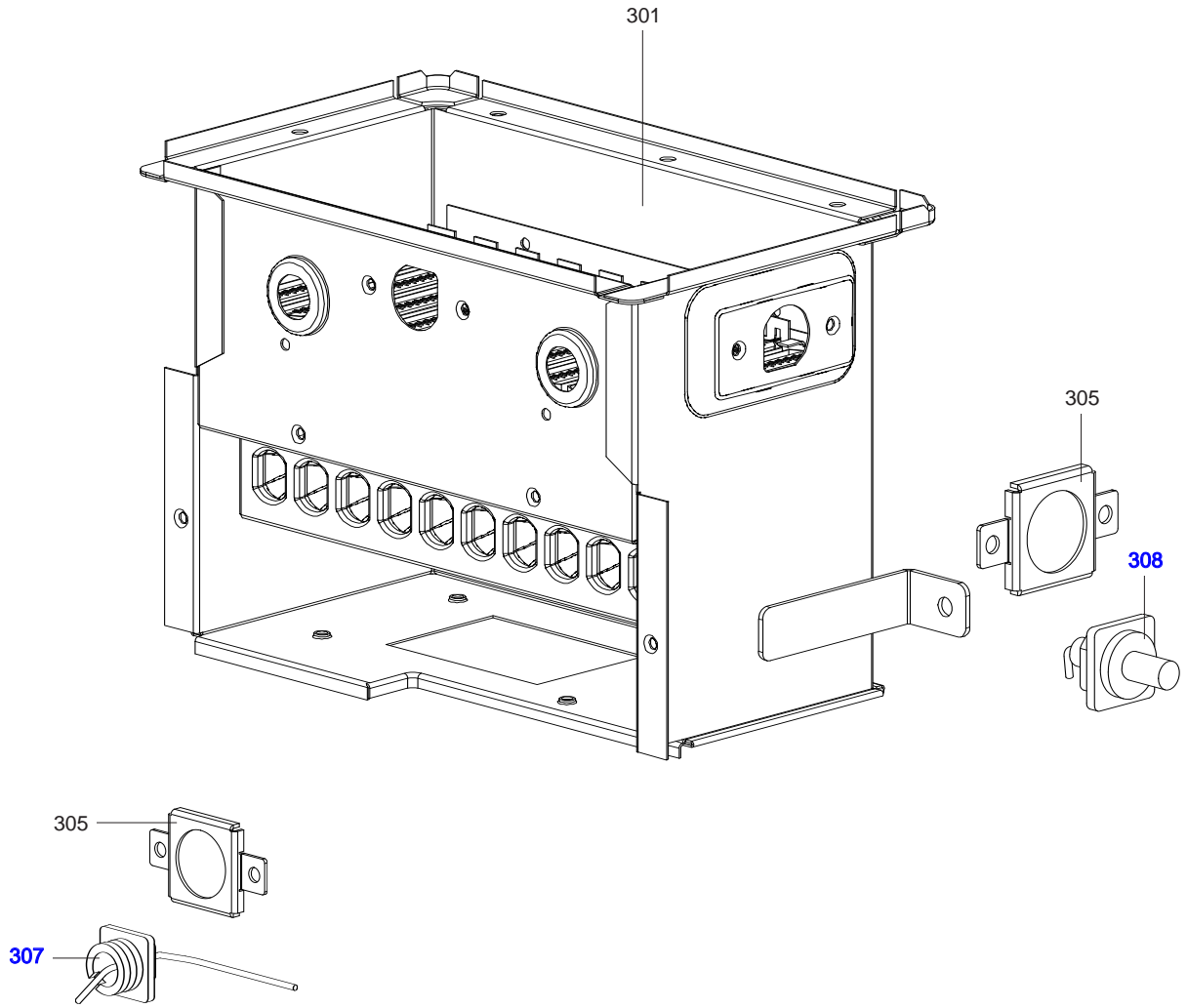
MARCO POLO M2 FF

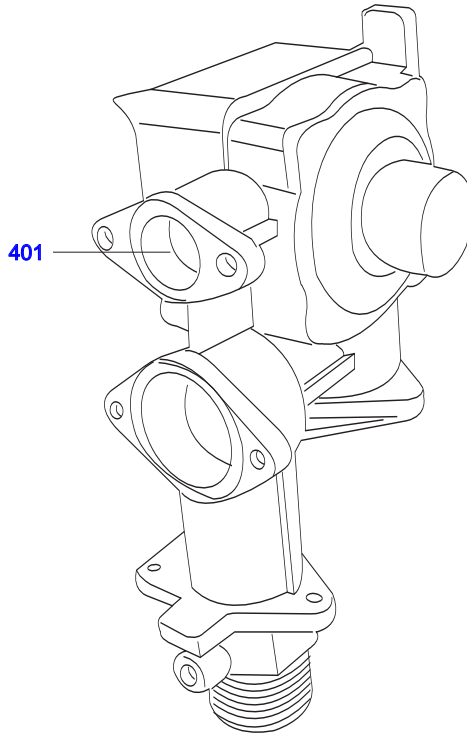
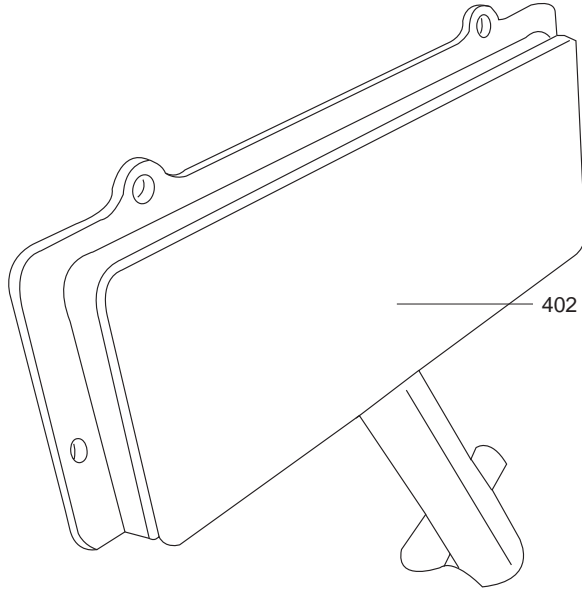
Instantaneous Gas Water Heaters

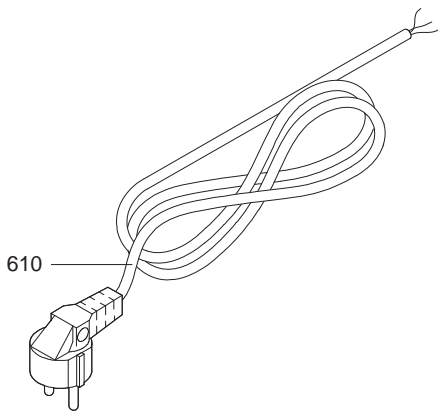
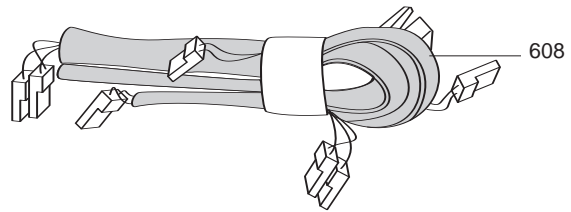
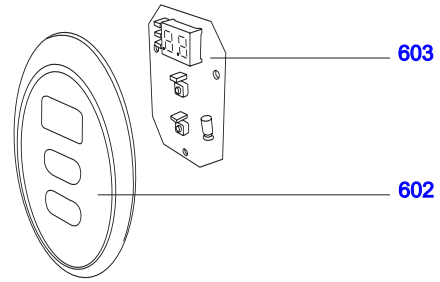
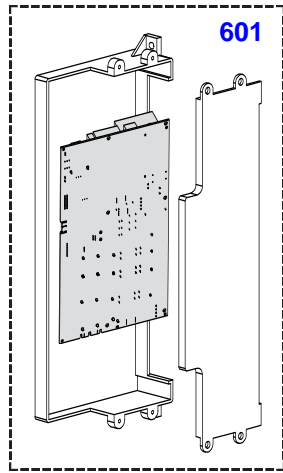
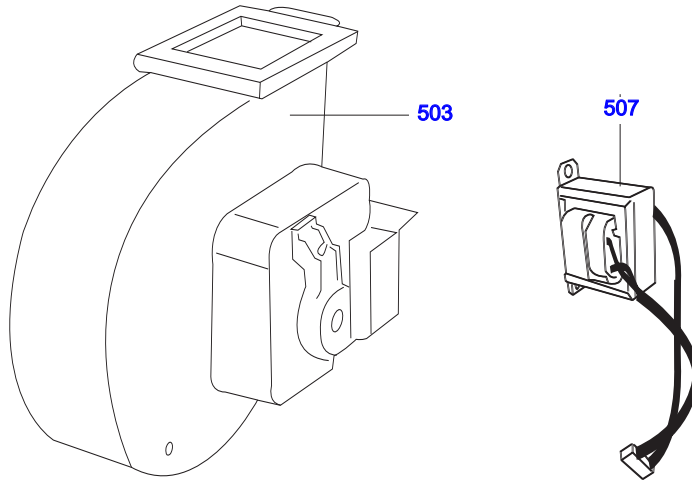
3612021		MARCO POLO M2 10L FF NG
Reference	Ind.	Model type	Begin	End











LIST OF THE ABBREVIATIONS

HW	: Hot water.
CW	: Cold water.
C	: Ceramic resistance (normal heating).
Ca	: Ceramic resistance (accelerated heating)
TP	: Immersion heater.
1F	: With fittings.
2F	: Without fittings.
3F	: With fittings and another outlet connection.
AMI	: With mixing valve.
SMI	: Without mixing valve.
PUISS	: Power of th appliance.
PN	: Appliance with normal pression.
LP	: Appliance with low pression.
PV	: Appliance with variable power.
PF	: Appliance with fixed power..

IDENTIFICATION PLATE

SERIAL NUMBER

6 Characters :
 Year of manufacture 03 09 08 Manufacturing day
 Month of manufacture

9 Characters :
 Year of manufacture 5 9 12 0606 Sequential number
 Month of manufacture

15 Characters :
 Year of manufacture 02 11 00001 007843 Code appareil
 Month of manufacture Sequential number

21 Characters :
3200050 XX 08115 0000001 Sequential number
 Product reference Year (08) / Manufacturing day (115)

22 Characters :
3200050 XX 070115 0000001 Sequential number
 Product reference Year (07) / Month (01) / Manufacturing day (15)

The indications mentioned on the prices, commercial or technical literature and the scheme are written for your guidance and are available at a given time. The CONSTRUCTOR retains the power to modify the presentation, the form, the size, the conception or the material of the products.